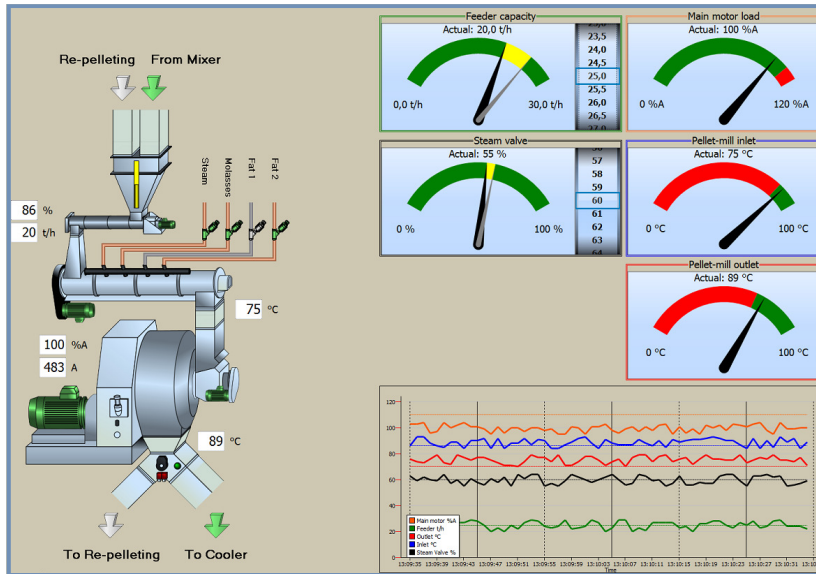


DaniitPCS

Advanced Control System for Pelleting Process



The **DaniitPCS** provides advanced control of the entire pelleting process, including feeding from multiple prebins through conditioning and mixing, hygenising, single- and double pelleting, expansion and compacting. It can easily be expanded to also include control of single- and multi level pellet coolers. Profitability is increased by reducing the demand for man power, as our control system provides real-time process monitoring and control to reduce production stops. The system can act as stand-alone system, or can easily be fully embedded in our Feed Control System.

DaniitPCS (PelletingControlSystem) - tailor made for Pellet Mills

Since 1968 Daniit A/S has been installing plant control and automation systems for feed mills.

Daniit A/S is a full-service provider of control solutions for the feed mill sector. We handle the entire project from planning, through design and production, to installation, commissioning and service.

Daniit A/S has an ever growing reputation for providing flexible and innovative control systems, backed up by our excellent support service and expertise in the feed sector.

Daniit's control systems has successfully been installed around the world.

Your advantages..:

- Optimize production and increase profitability
- Fully adaptable to all mechanical configurations
- Flexible design based on well-tested platform
- High level scalability protects investments
- Reduce the demand of man power
- Simple and intuitive operation
- Reduce energy consumption
- Low maintenance costs

Optional..:

- Full traceability & long term data recording
- Local and remote control
- Stand-alone or fully embedded
- DMM - Maintenance proactive log
- Available in multiple languages
- 24/7 hot-line service



Daniit[®]
Danish Industrial IT

Reliable solutions since 1968

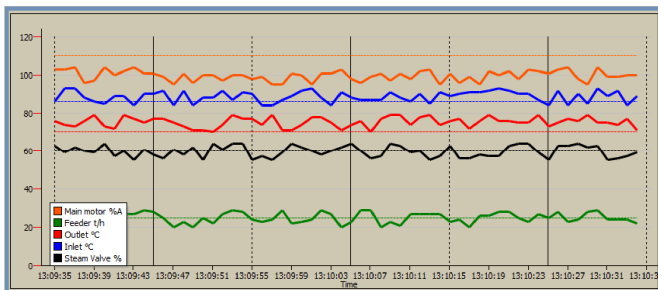
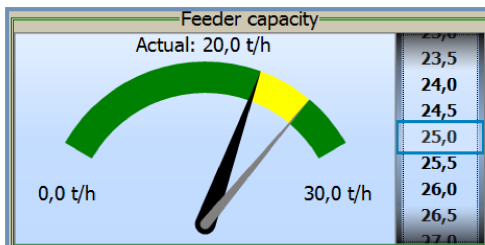
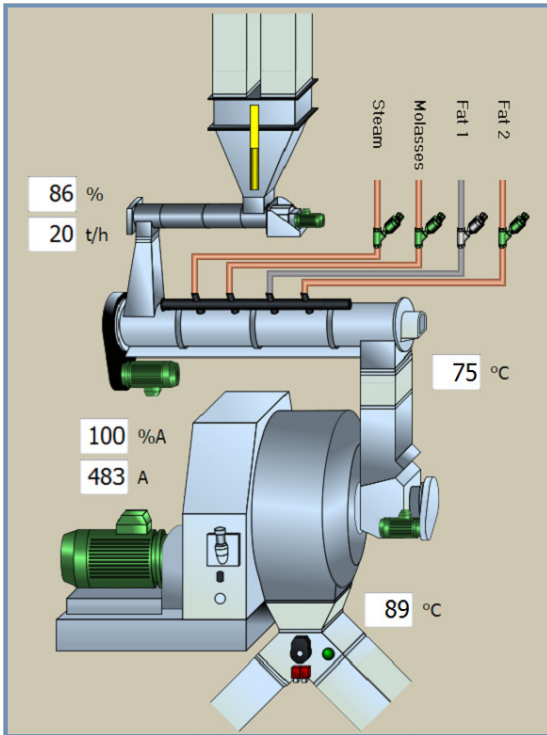


DaniitPCS

Advanced Control System for Pelleting Process



Feeding / Conditioning / Mixing / Compacting / Expanding / Pelleting / Cooling



- **DaniitPCS** is the obvious choice for cost effective upgrading of older and discontinued control systems, as almost all existing hardware is re-used.

Key features...:

- Single- or multiple prebins with loss-in-weight option.
- Option for separate re-pelleting bin
- Floating recipe change for "gap-less" production
- Feed screw speed controlled on basis of actual power consumption or preset production capacity
- PID controlled steam valve for accurate temperature control
- PID controlled addition of liquids based on actual production capacity
- Automatic re-pelleting according to pellet temperature
- Automatic opening of dump hatch for preventing overload and production stops
- Automatic adjustment of rolls
- Single- and multi level pellet coolers
- Operation locally on HMI and remote from PC in control room
- Configurable trend curves for monitoring actual process values
- Easy switching between automatic and manual mode on all equipment
- Recipe database incl. all production related parameters
- Maintenance monitoring and service log of wear parts
- Unique identification of dies incl. logging of operation time for each die
- Comprehensive long-term production reporting
- Event and alarm logging
- Power consumption per kg calculations
- User login and configurable user rights
- Remote login for online service and operation
- 24/7 hot-line service



Daniit[®]
Danish Industrial IT

Reliable solutions since 1968

